



*We are aluminium*

# Installation manual universal ground wings



## Introduction

The purpose of this installation manual is to provide instruction so that installers can competently and safely install the ground wings from Hydro. The ground wings are an accessory for Hydro lighting columns. They give the lighting column extra resistance against rotation in the ground. The ground wings consist of two parts which are clamped around the column via four M10 threaded bars.

Installers must have the required competencies, knowledge and experience to safely work on equipment and operate mechanical tooling needed for the installation of the ground wings.



### **ATTENTION:**

- Read this manual carefully before installing the ground wings.
- Always follow the instructions in this manual.
- Always wear personal protection equipment; helmet, boots, gloves and safety glasses.

### Disclaimer

Despite the careful development and compilation of this installation manual, it is possible that incorrect or incomplete information is included. Hydro is not liable for any damage, directly or indirectly, related to the use of the information in this manual.

**Instructions installing set ground wings**

The set ground wing exits of 4 different components (see fig. 1):

- 1. PP shell parts
- 2. Threaded rods (M10 x 230mm)
- 3. Washers (M10)
- 4. Nuts (M10)

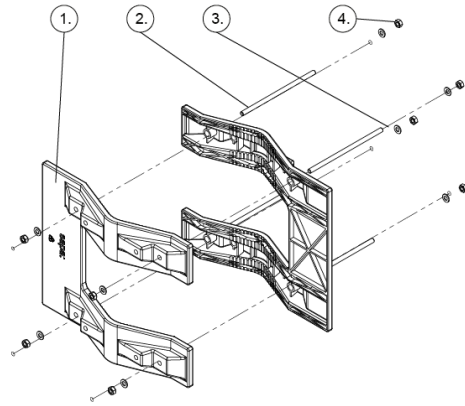


Fig. 1

The ground wing set is universal and can be used for column diameters from 114 mm to 200 mm.

To have enough clamping force for the shell parts around the column it is of great importance that the right set of holes are used for the specific column diameters (see fig. 2).

- 1. D114 – D145
- 2. D165 – D200

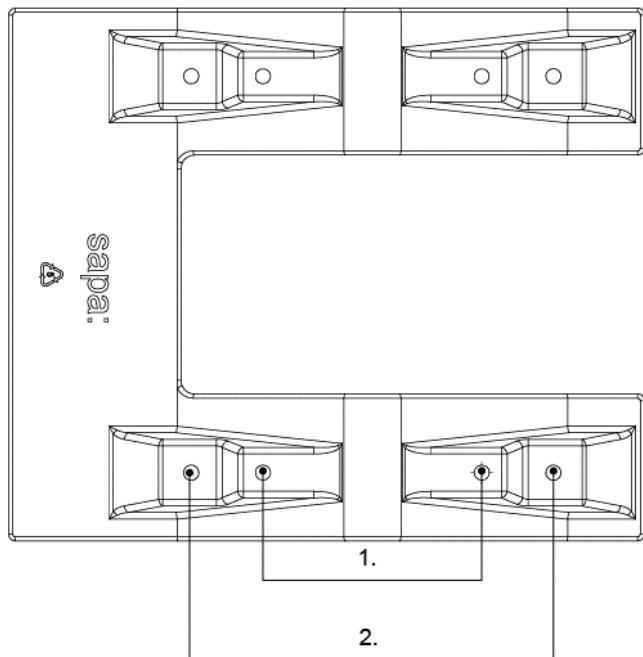


Fig. 2

Especially in case of small lighting columns it is common that the set ground wings are assembled at the same height as the cable entry hole (see fig.3).



Fig. 3

In case of larger column sizes, it is also possible to use multiple sets ground wings assembled to the column. In this case, the ground wings are assembled 90 degrees to each other (see fig. 4).



Fig. 4

**Pole Products**

Hydro Extrusion Drunen BV  
P.O. Box 75  
5150 AB Drunen  
The Netherlands

**Visiting address:**  
Alcoalaan 12  
5151 RW Drunen  
The Netherlands

[www.hydroextrusions.com/poles](http://www.hydroextrusions.com/poles)  
E: [info.poleproducts.nl@hydro.com](mailto:info.poleproducts.nl@hydro.com)  
T: +31 416 386 200

**Registration No.**  
No. 17205924