

# Aluminium NE passive safe columns

- Fully certified and endorsed by a Notified Body
- Sustainable



## Non-energy (NE) absorbing columns create forgiving roads

Non-energy (NE) absorbing columns allow the vehicle to continue after an impact with a limited reduction in speed. They therefore represent a lower primary injury risk than energy absorbing support structures.

NE3 is the safest passive safe classification for medium- and high-speed roads.

The impact speed of non-energy (NE) absorption combined with the 3rd occupant safety level demands special features from a column. Hydro therefore developed a shear-off solution. This in-built solution is unique as it will shear-off in the event of a collision and is unaffected by the direction of the impact. The solution is based just above the ground level of the pole.

## In compliance with standards and regulations:

- Design in accordance with the European standard EN40-6
- Calculations according to the European regulations EN40-3-3
- Passively safe according to EN 12767 – see certificate EN40

## Available passive safe classifications:

- 100NE3 / 70NE3
- 100NE2 / 70NE2
- 100NE1

## Installation options NE1 + NE2 columns:

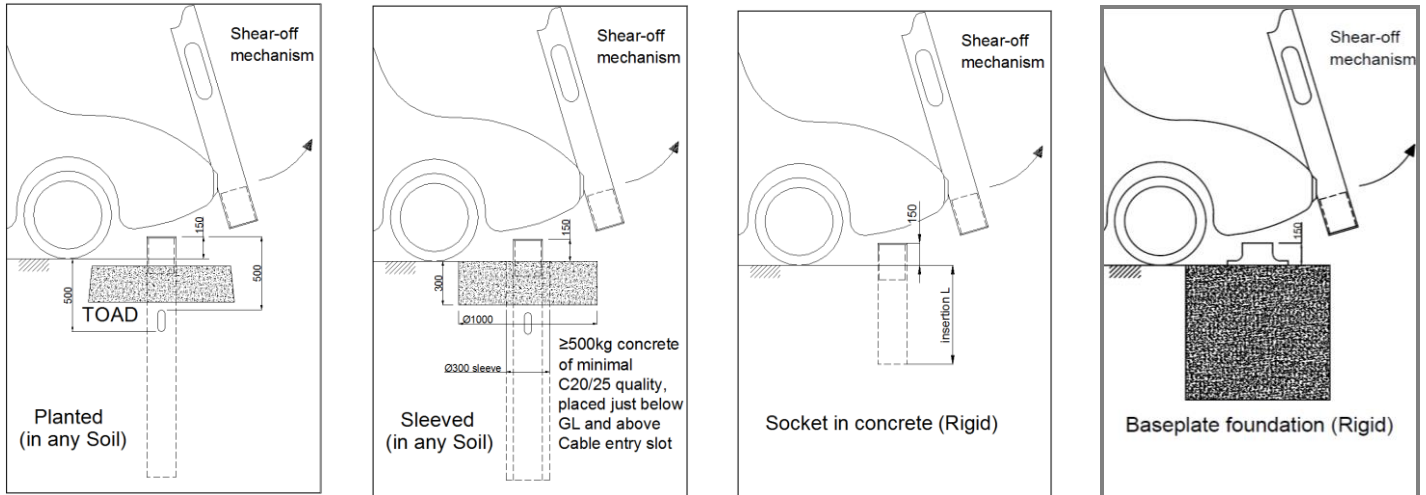
- Planted in the ground
- Two-piece base plate (D53.002.000.14)
- One-piece base plate (D53.001.000.01)
- Welded specialized base plate

## Bracket options (see PDSEEX32.02.001.r01):

- Fixed brackets
- Brackets with invisible joint
- Brackets with cast piece

## NE columns

### Installation options NE3 columns



### NE columns, conical and cylindrical stepped available from 2 up to 15m

Height (in m)	Base diameter x wall thickness (in mm)	Foundation type	Passive safe classification
2 - 15	145 x 3.0; 165 x 3.3; 200 x 3.3; 226 x 3.3; 226 x 4.5; 250 x 4.0 (all with shear-construction)	See above	100NE3 / 70NE3
2 - 10	114 x 2.5; 114 x 3.0; 120 x 3.0; 120 x 4.5; 135 x 3.0; 145 x 3.0; 165 x 3.3	Soil or Rigid	100NE2 / 70NE2
2 - 8	226 x 3.3; 200 x 3.3; 175 x 4.0; 145 x 4.25	Soil or Rigid	100NE2
8 - 12	226 x 3.3; 200 x 3.3; 175 x 4.0; 145 x 4.25	Soil or Rigid	100NE1

### Technical characteristics:

- Seamless tube made of aluminium extrusion;
- Alloy EN AW6060 T66;
- 100% recyclable ;
- Flush fitting door with 2 triangular locks;
- Welded reinforcement profile at the inside of the door section, complete with mounting rail with 2x M6 slip nuts + 1x M8 earth nut;
- Ground piece protected with corrosion protective tape (color grey or black);
- Optional ground level protector (PDSEN.37.02.001.r01);
- Cable entry slot incl. protection cap;
- Surface brushed finish, optional anodized (exception NE3) or electrostatic powder coating.

Hydro is not liable for incomplete or incorrect information provided on this product sheet.