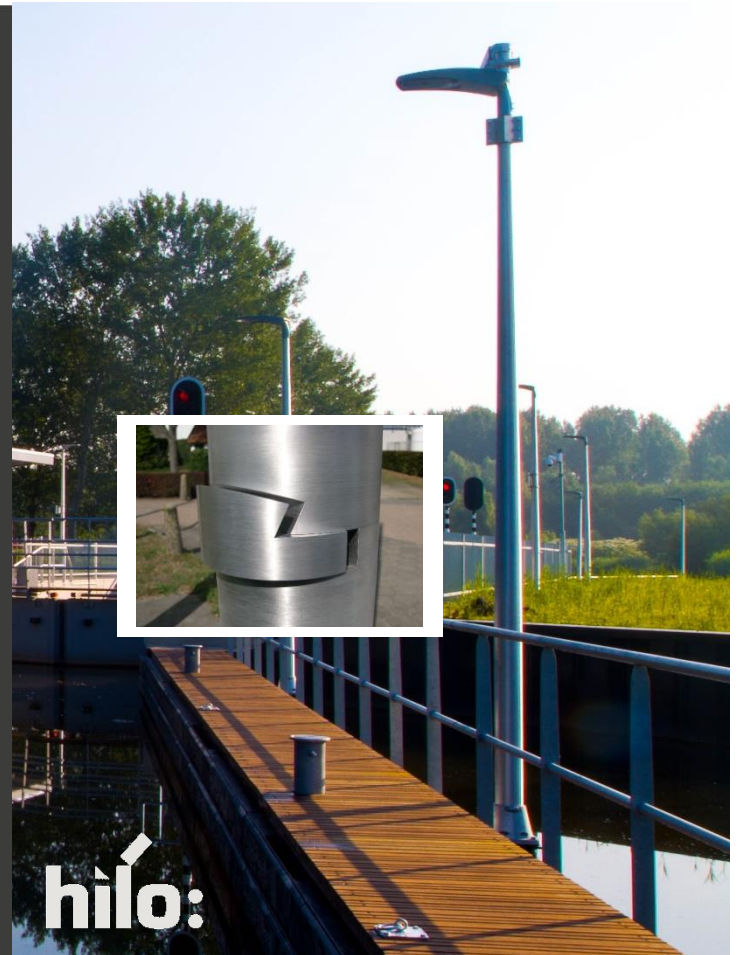


Aluminium HiLo Columns with wedge

- Manual operations from the ground
- Completely remove dangers associated with working at height
- Cost reductions associated with ongoing maintenance



hiLo:

HiLo columns allow easy and safe operations

The raise & lower columns from Hydro, called HiLo columns, are especially designed to carry out maintenance on cameras and other devices in a safe and secure manner. The operation of the column can be performed manually, from ground level. Therefore, no dangers of working at height and cost savings of maintenance and traffic management.

The HiLo columns with wedge have an invisible hinge mechanism that is located just above the door section.

The optional raise & lower tool provides easy operation of columns with a higher top weight such as heavier cameras or traffic lights.

In compliance with standards and regulations:

- Design in accordance with the European standard EN40-6
- Calculations according to the European regulations EN40-3-3
- Passively safe according to EN 12767 – see certificate EN40

Installation options:

- Planted in the ground
- Two-piece base plate (D53.002.000.14)
- One-piece base plate (D53.001.000.01)
- Welded specialized base plate

Bracket options (PDSENEX32.02.001.r01):

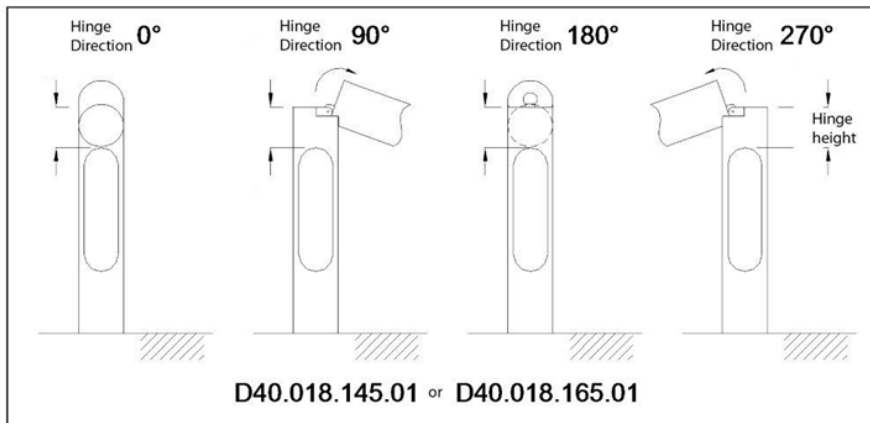
- Fixed brackets
- Brackets with invisible joint
- Brackets with cast piece

HiLo Columns with wedge

How it works



4 different hinge directions



Raise & Lower tool



HiLo Columns with wedge

HiLo columns with wedge, conical and cylindrical stepped available from 3-8m

Height (in m)	Base diameter x wall thickness (in mm)	Top diameter (in mm)	Dimension door opening (in mm)	Door height above ground (in mm)	Length ground piece* (in mm)	Column weight (in Kg)	Passive safe classification
3 - 6	145 x 3.0	60/76	500 x 100	600	800	14 - 24	100NE2
7 - 8	165 x 3.3	60/76	600 x 115	800	1000	37 - 43	100NE2

* Length ground piece differs per country, depending on the applicable standard

Technical characteristics:

- Seamless tube made of aluminium extrusion;
- Alloy EN AW6060 T66;
- 100% recyclable ;
- Flush fitting door with 2 triangular locks;
- Welded reinforcement profile at the inside of the door section, complete with mounting rail with 2x M6 slip nuts + 1x M8 earth nut;
- Invisible hinge mechanism located just above the door section
- Tilttable until ground level
- Ground piece protected with corrosion protective tape (color grey or black);
- Optional ground level protector (PDSEN.37.02.001.r01);
- Cable entry slot incl. protection cap;
- Surface brushed finish, optional electrostatic powder coating.

Hydro is not liable for incomplete or incorrect information provided on this product sheet.