

Aluminium HiLo columns with winch

- Manual operations from the ground
- Completely remove dangers associated with working at height
- Cost reductions associated with ongoing maintenance



HiLo columns allow easy and safe operations

The raise & lower columns from Hydro, called HiLo columns, are especially designed to carry out maintenance on cameras and other devices in a safe and secure manner. The operation of the columns can be performed manually, from ground level. Therefore, no dangers of working at height and cost savings of maintenance and traffic management.

The HiLo column with winch is provided with an integrated hinge system. The hinge mechanism is located halfway up the pole, which allows the top of the column to be lowered to working height. The winch is located behind the door which allows easy access.

In compliance with standards and regulations:

- Design in accordance with the European standard EN40-6
- Calculations according to the European regulations EN40-3-3
- Passively safe according to EN 12767 – see certificate EN40

Installation options:

- Planted in the ground
- Two-piece base plate (D53.002.000.14)
- One-piece base plate (D53.001.000.01)
- Welded specialized base plate

Bracket options (PDSENEX32.02.001.r01):

- Fixed brackets
- Brackets with invisible joint
- Brackets with cast piece

HiLo columns with winch

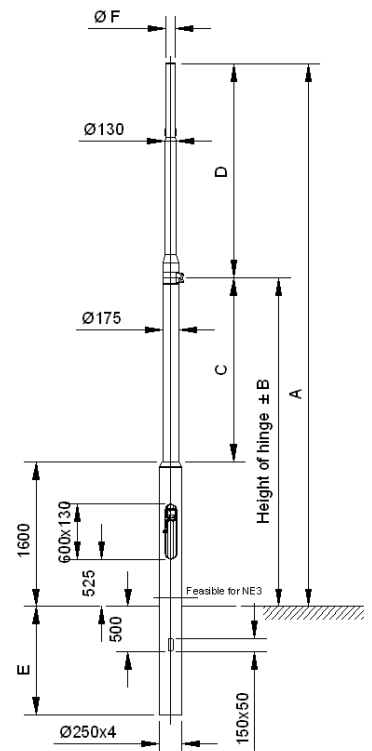
How it works



HiLo columns with winch, cylindrical stepped available from 6 - 12m

A (in m)	B (in mm)	C (in mm)	D (in mm)	E* (in mm)	F ø (in mm)	Max. top weight (in Kg)
6	3631	2031	2369	1200	108/76	50
8	4631	3031	3369	1500	108/76	45
10	5631	4031	4369	1700	108/76	40
12	6631	5031	5369	1700	108/76	35

* Length ground piece differs per country, depending on the applicable standard



Technical characteristics:

- Seamless tube made of aluminium extrusion;
- Alloy EN AW6060 T66;
- 100% recyclable ;
- Flush fitting door with 2 triangular locks;
- Welded reinforcement profile at the inside of the door section, complete with mounting rail with 2x M6 slip nuts + 1x M8 earth nut;
- Invisible locking mechanism for hinge located behind the door section
- Tiltable until 1500 mm from ground level
- Hinge direction to the right, 90° relative to the door
- Ground piece protected with corrosion protective tape (color grey or black);
- Optional ground level protector (PDS EN.37.02.001.r01);
- Cable entry slot incl. protection cap;
- Surface brushed finish, optional electrostatic powder coating.

Hydro is not liable for incomplete or incorrect information provided on this product sheet.