

# Aluminium HiLo Columns with winch

- Manual operations from the ground
- Completely remove dangers associated with working at height
- Cost reductions associated with ongoing maintenance



## HiLo columns allow easy and safe operations

The Raise & Lower columns from Hydro, called HiLo columns, are especially designed to carry out maintenance on cameras and other devices in a safe and secure manner. The operation of the columns can be performed manually, from ground level. Therefore, no dangers of working at height and cost savings of maintenance and traffic management.

The HiLo column with winch is provided with an integrated hinge system. The hinge mechanism is located halfway up the pole, which allows the top of the pole to be lowered to working height. The winch is located behind the door which allows easy access.

Local technical support available in the UK.

## In compliance with standards and regulations:

- Design in accordance with the British standard BS-EN 40-6
- Calculations according to the British standard BS-EN 40-3-3
- Passively safe according to BS-EN 12767 – see certificate EN 40

## Installation options:

- Planted in the ground
- Two-piece base plate (drawing D53.002.000.14)
- One-piece base plate NE3 (drawing D53.006.250.02)
- Welded specialized base plate

## Bracket options (PDSEN/UK.32.02.001.r02):

- Fixed brackets
- Cast piece brackets
- Invisible joint brackets

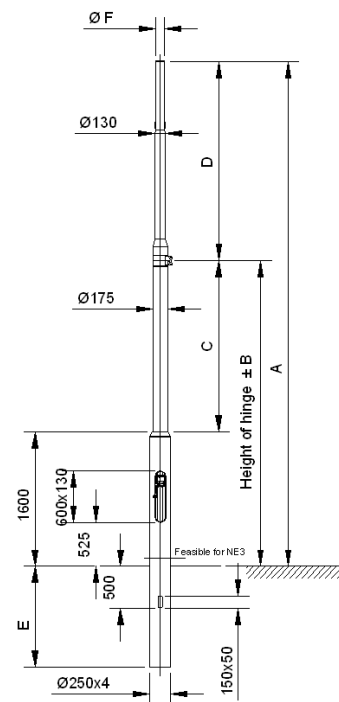
## HiLo Columns with winch

### How it works



HiLo columns with winch, cylindrical stepped available from 6-12m

| A<br>(in m) | B<br>(in mm) | C<br>(in mm) | D<br>(in mm) | E<br>(in mm) | F $\varnothing$<br>(in mm) | Max. top<br>weight<br>(in Kg) |
|-------------|--------------|--------------|--------------|--------------|----------------------------|-------------------------------|
| 6           | 3631         | 2031         | 2369         | 1200         | 108/76                     | 50                            |
| 8           | 4631         | 3031         | 3369         | 1500         | 108/76                     | 45                            |
| 10          | 5631         | 4031         | 4369         | 1700         | 108/76                     | 40                            |
| 12          | 6631         | 5031         | 5369         | 1700         | 108/76                     | 35                            |



### Technical characteristics:

- Seamless tube made of aluminium extrusion;
- Alloy EN AW6060 T66;
- 100% recyclable;
- Flush fitting door with 2 triangular locks;
- Welded reinforcement profile at the inside of the door section, complete with mounting rail (2x M6 slip nuts + 1x M8 earth nut) and mounted wooden backboard;
- Extra earth nut M8 at the inside of the door;
- Invisible locking mechanism for hinge located behind the door section;
- Tiltable until 1500 mm from ground level;
- Hinge direction to the right, 90° relative to the door;
- Ground piece protected with corrosion protective grey tape + Ground Level Protector;
- Cable entry slot incl. protection cap;
- Surface brushed finish, electrostatic powder coating.

Hydro is not liable for incomplete or incorrect information provided on this product sheet.