



Road Transport Catalogue

From concept to final product, we ensure innovative, sustainable solutions that comply with industry regulations.



Contents

- Aluminium Solutions for Road Transport..... 3
- Road Transport Planks..... 5
- Road Transport Top Hats..... 11
- Road Transport Channels / Bearers 18
- Road Transport Sides..... 23
- Road Transport Corner Pillars..... 26
- Road Transport Miscellaneous..... 31

Aluminium Solutions for Road Transport

With our extensive in-house capabilities, we offer a full range of low-carbon aluminium profiles and components designed to meet the extensive requirements of Commercial Transport Cargo Systems.

Proudly Made in the UK

All of our aluminium products are made, extruded, and fabricated entirely in the UK, showcasing our dedication to British manufacturing. As a "Made in the UK" accredited company, we prioritise local production and sustainable practices. This not only supports the local economy but also allows us to maintain stringent quality control and offer shorter lead times for our customers.

Greener Offerings

Sustainability is central to everything we do. We have laid out a clear and ambitious roadmap to achieve net-zero emissions before 2050. Our near-term goal is a 30% reduction in carbon emissions by 2030, driven by greener power sourcing. By focusing on reducing emissions throughout our production process, we are creating aluminium solutions that not only perform at the highest level but also contribute to a lower carbon footprint for our customers.

Recycling for a Circular Economy

Aluminium is a cornerstone of the circular economy. Its infinite recyclability makes it the ideal material for sustainable manufacturing, and we are dedicated to using recycled post-consumer aluminium scrap as a key pathway to zero-carbon production by 2030. By promoting transparent recycling standards, we aim to help industries reduce their carbon footprint while benefiting from the strength, lightweight properties, and durability that aluminium provides.

Complete Aluminium Solutions

We offer a one-stop shop for aluminium profiles, providing services from design consultation to prototyping and final fabrication. Our expert engineers work closely with you to deliver custom solutions that meet regulatory standards, improve performance, and enhance sustainability. With UK-based production, we ensure high-quality, tailored products to fit your exact needs.



[Back to contents](#)

Hydro Standards

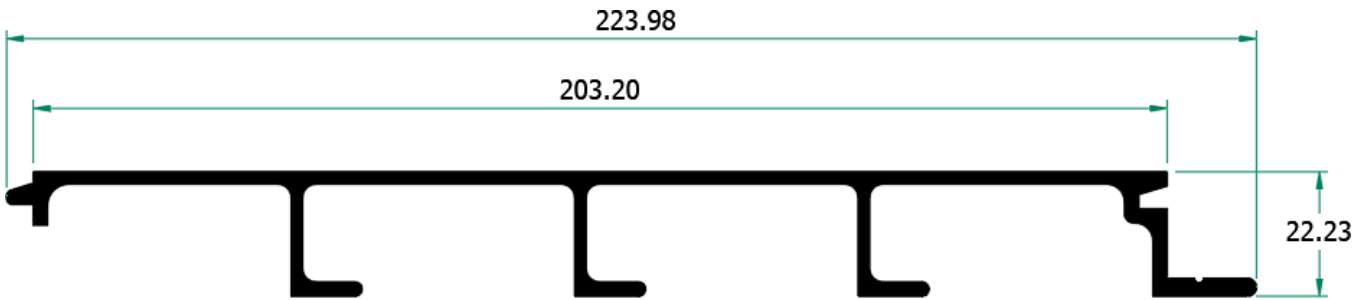
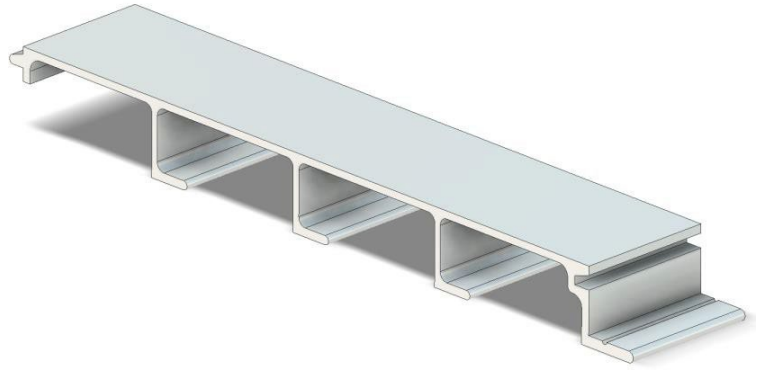
Road Transport Planks

Profile Number

4-0949

Weight

2.215 kg/m

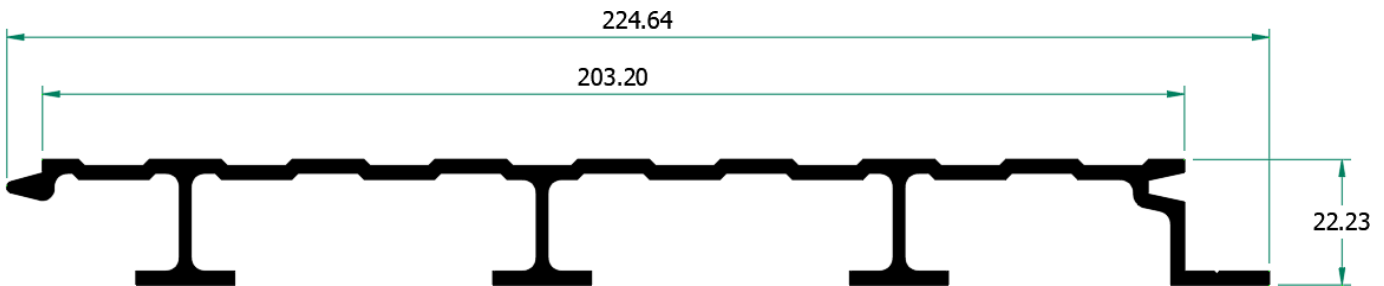
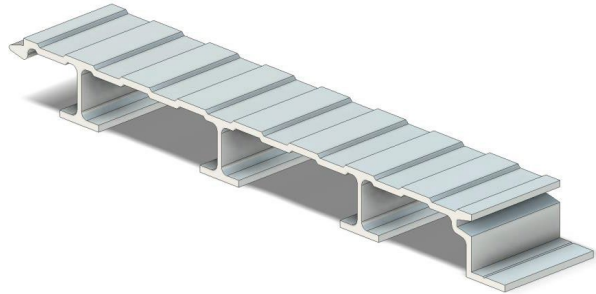


Profile Number

4-0929

Weight

2.376 kg/m



[Back to contents](#)

Hydro Standards

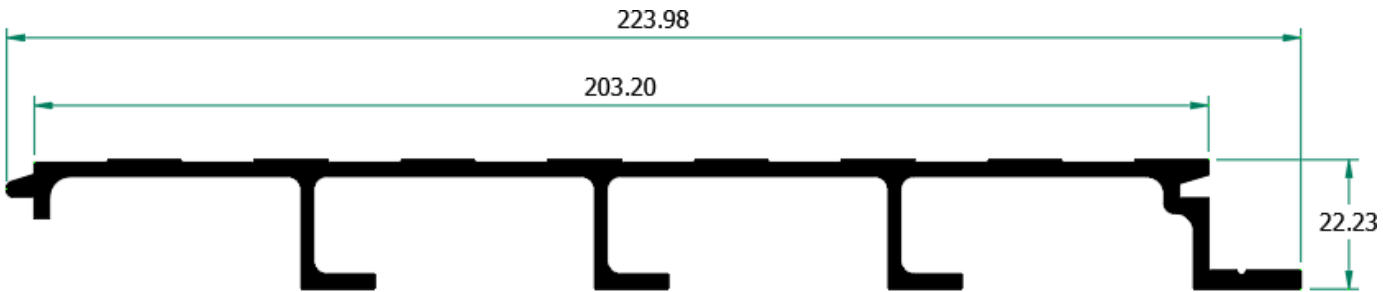
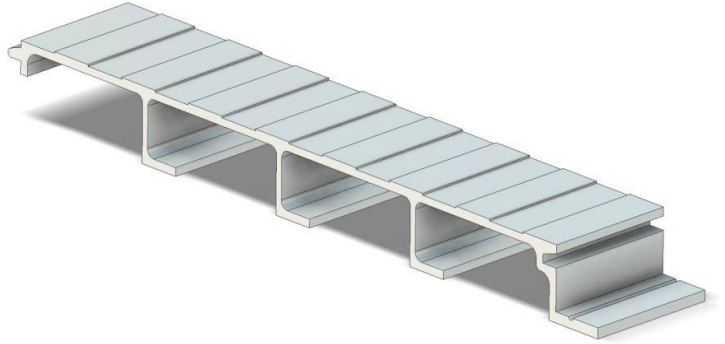
Road Transport Planks

Profile Number

4-0948

Weight

2.393 kg/m

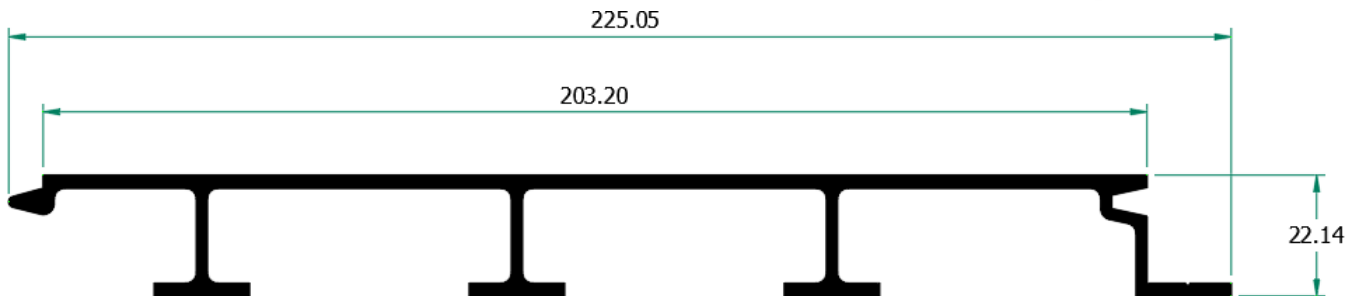
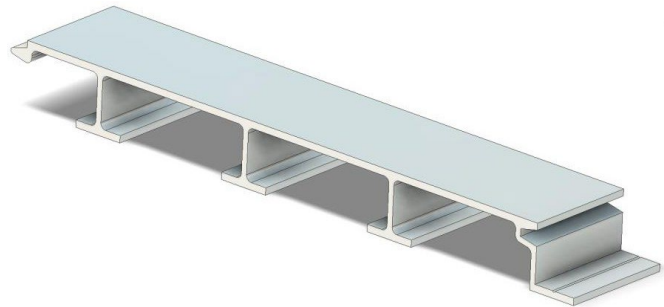


Profile Number

4-0927

Weight

2.303 kg/m



Hydro Standards

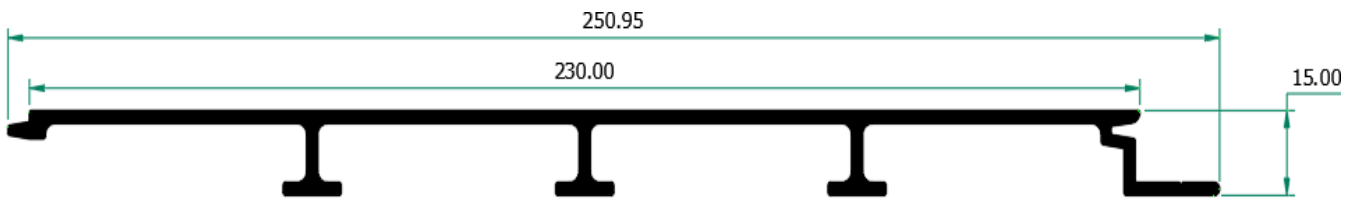
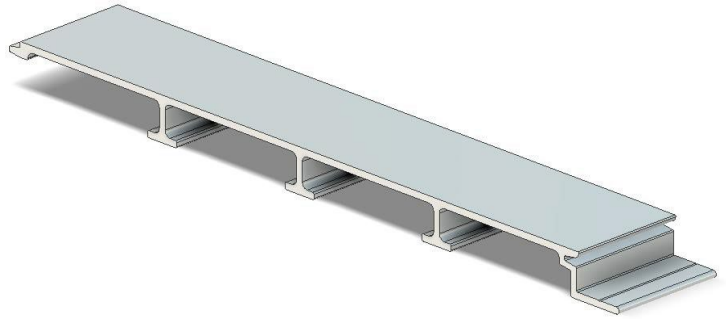
Road Transport Planks

Profile Number

4-0796

Weight

2.141 kg/m

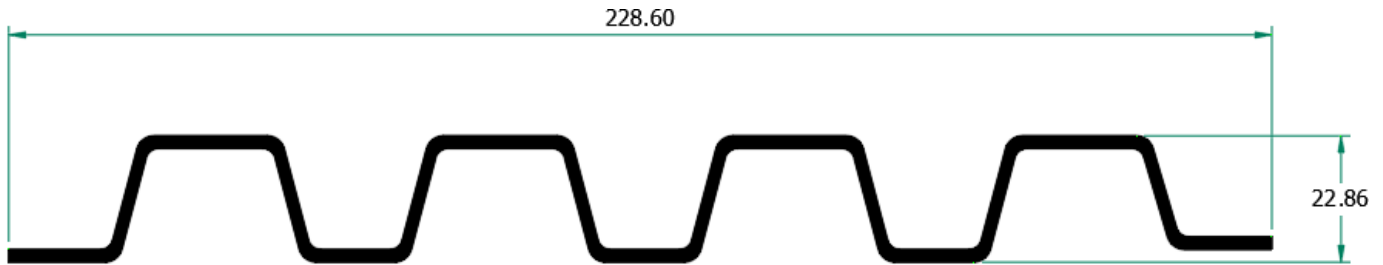
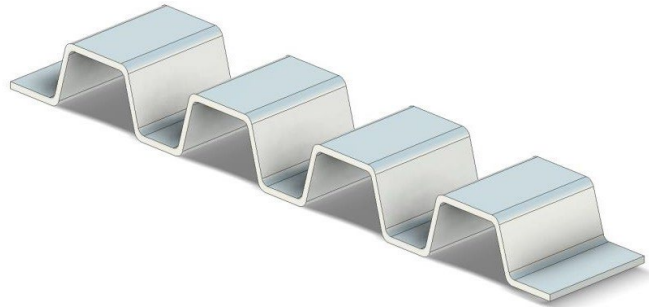


Profile Number

4-0921

Weight

2.051 kg/m



Hydro Standards

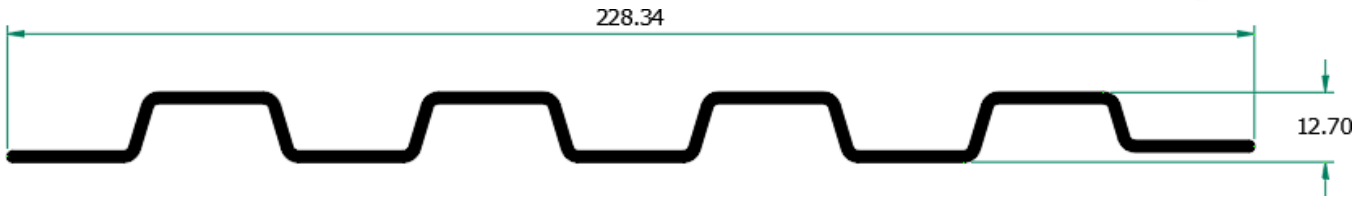
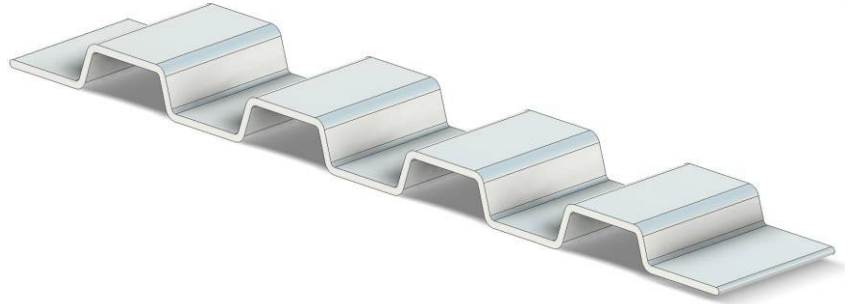
Road Transport Planks

Profile Number

4-0922

Weight

1.518 kg/m

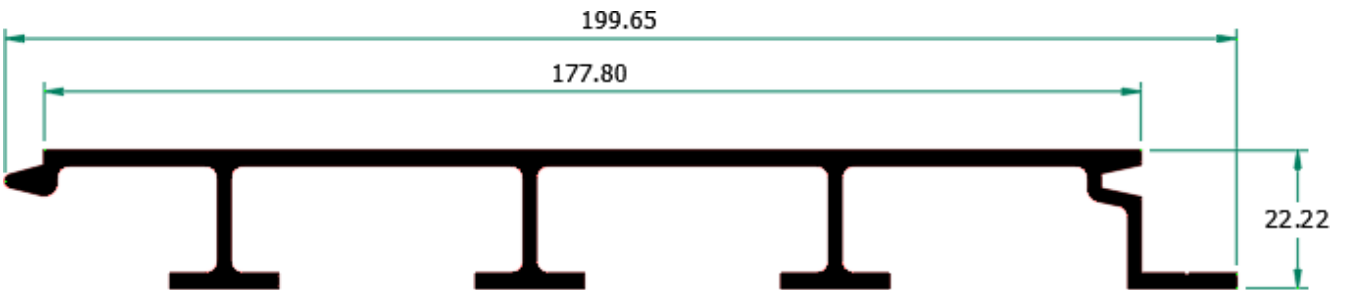
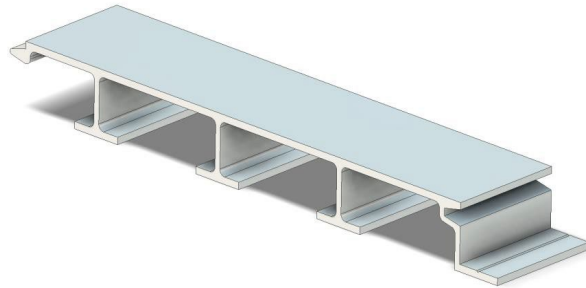


Profile Number

4-0925

Weight

2.138 kg/m



Hydro Standards

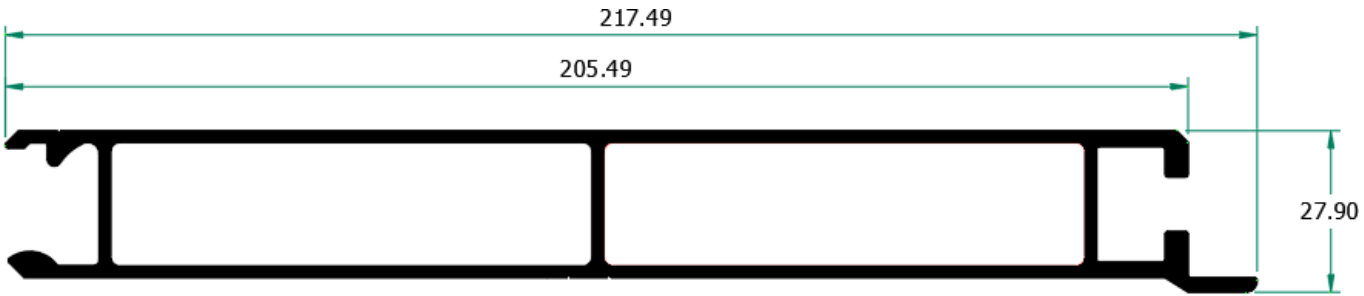
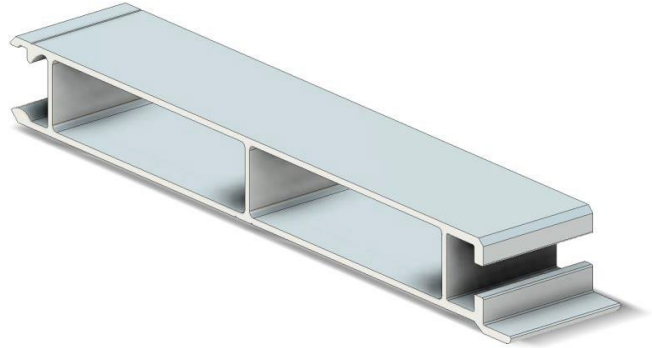
Road Transport Planks

Profile Number

5-0390

Weight

2.930 kg/m

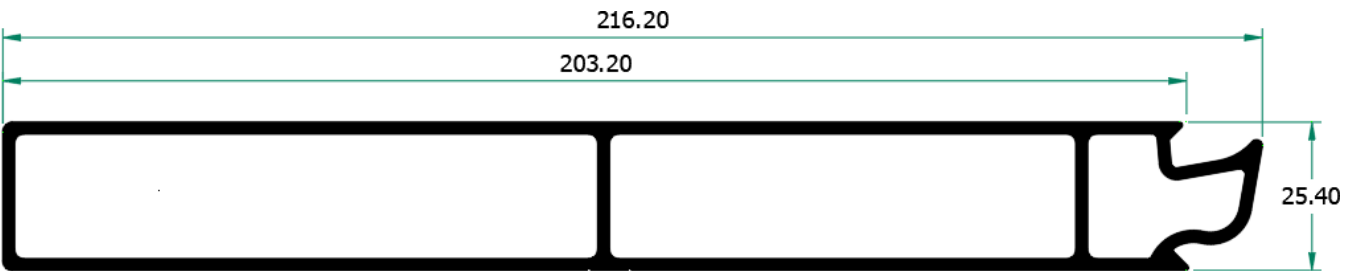
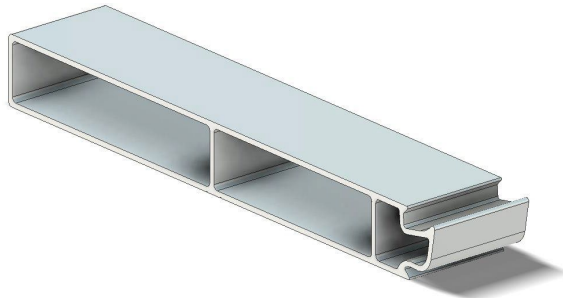


Profile Number

5-0389

Weight

2.852 kg/m



[Back to contents](#)

Hydro Standards

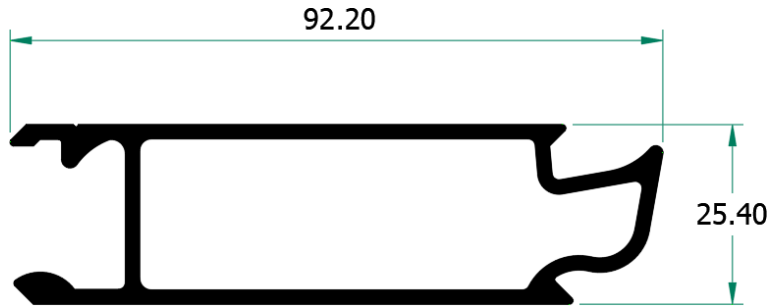
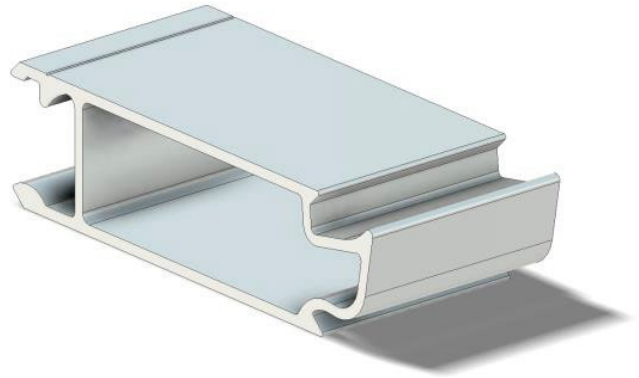
Road Transport Planks

Profile Number

5-0388

Weight

1.348 kg/m



[Back to contents](#)

Hydro Standards

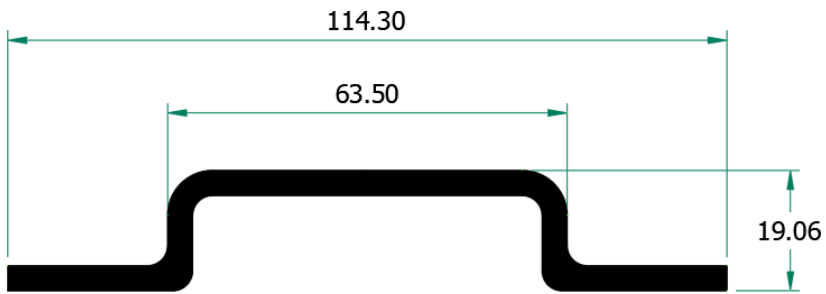
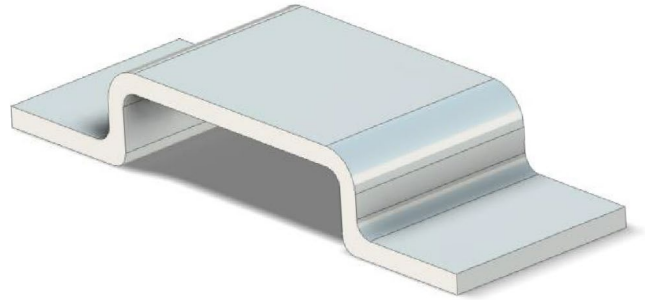
Road Transport Top Hats

Profile Number

1-1808

Weight

1.503 kg/m

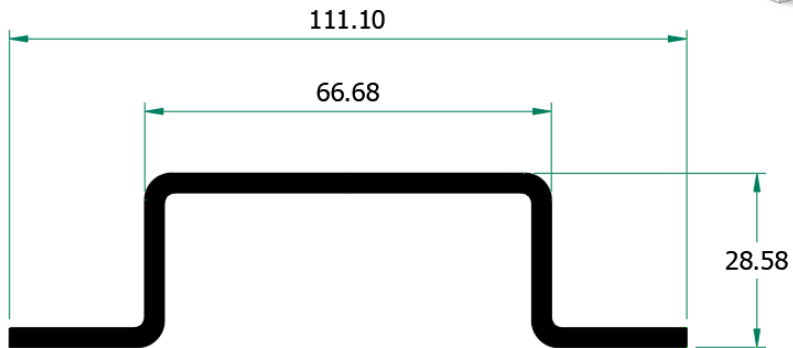
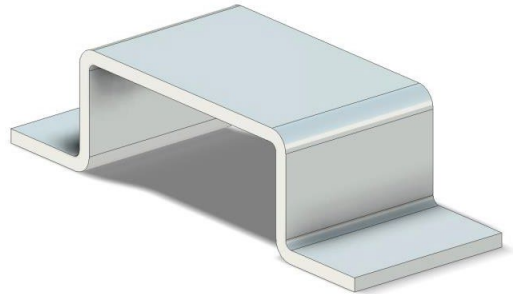


Profile Number

1-1743

Weight

1.357 kg/m



[Back to contents](#)

Hydro Standards

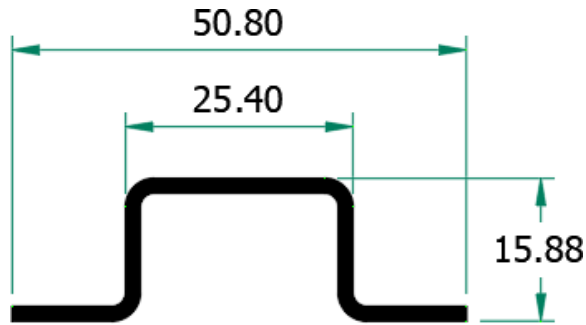
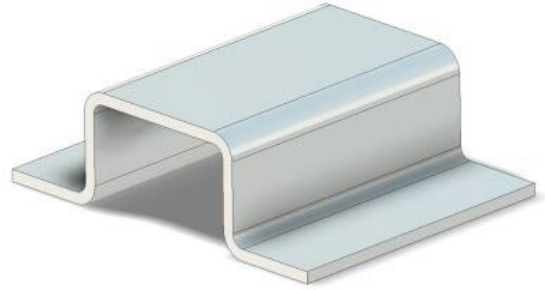
Road Transport Top Hats

Profile Number

1-1805

Weight

0.331 kg/m

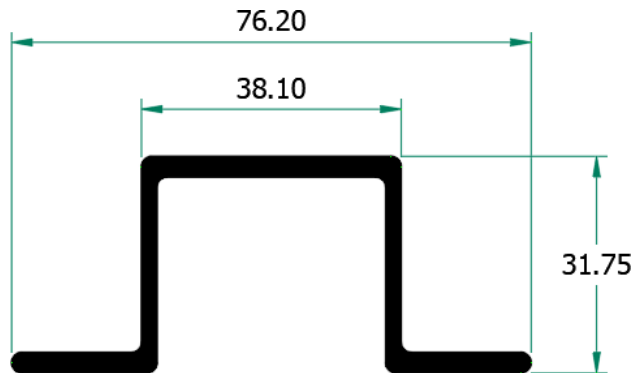
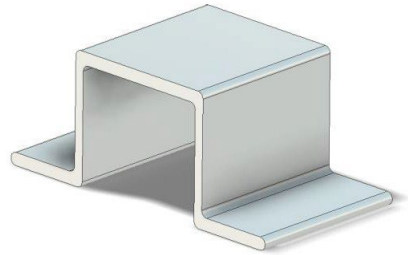


Profile Number

4-0391

Weight

0.981 kg/m



[Back to contents](#)

Hydro Standards

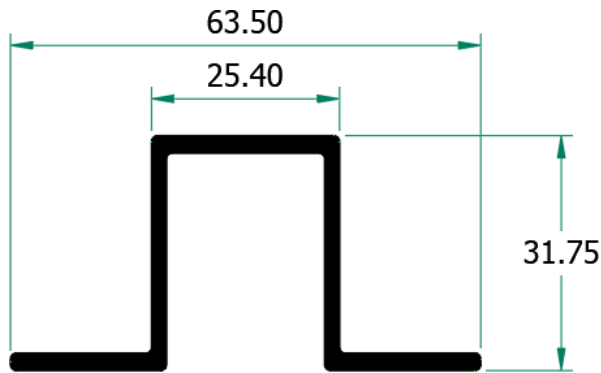
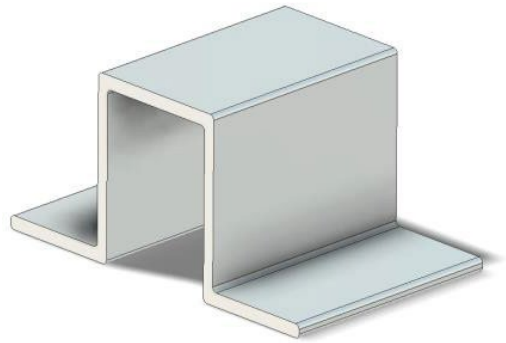
Road Transport Top Hats

Profile Number

4-0497

Weight

0.728 kg/m

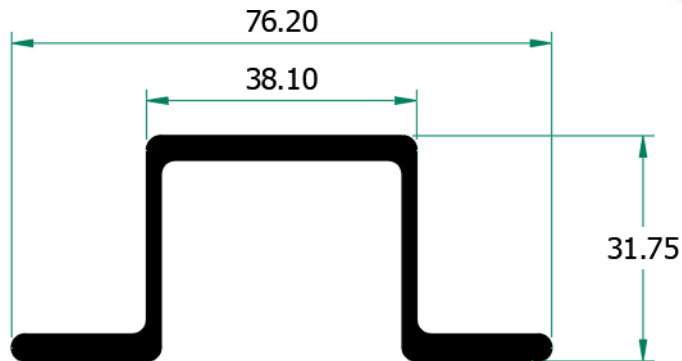
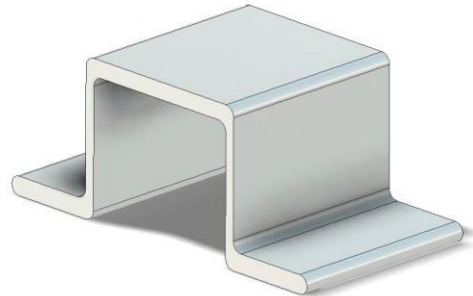


Profile Number

4-0146

Weight

1.051 kg/m



[Back to contents](#)

Hydro Standards

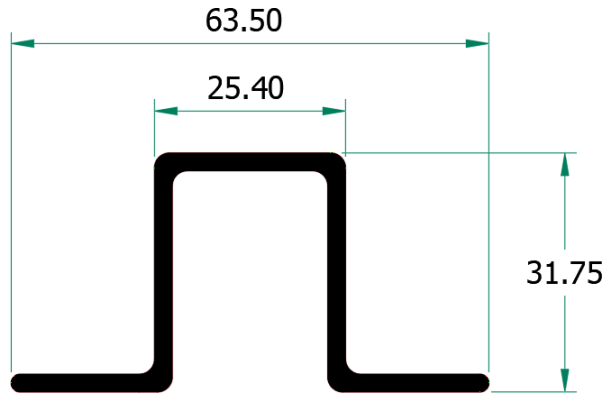
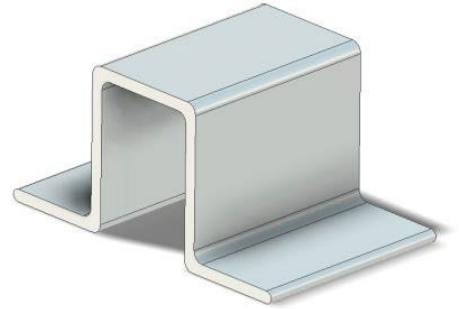
Road Transport Top Hats

Profile Number

4-0130

Weight

0.779 kg/m

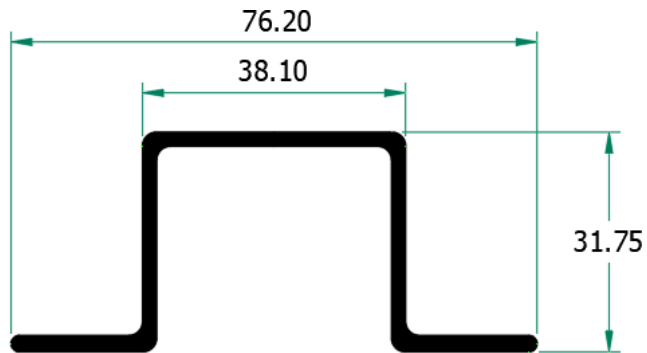
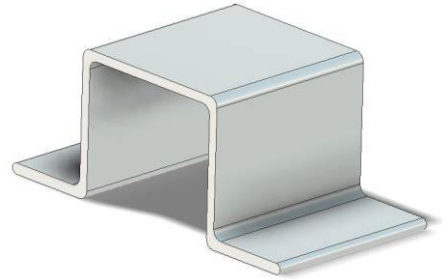


Profile Number

4-0129

Weight

0.777 kg/m



[Back to contents](#)

Hydro Standards

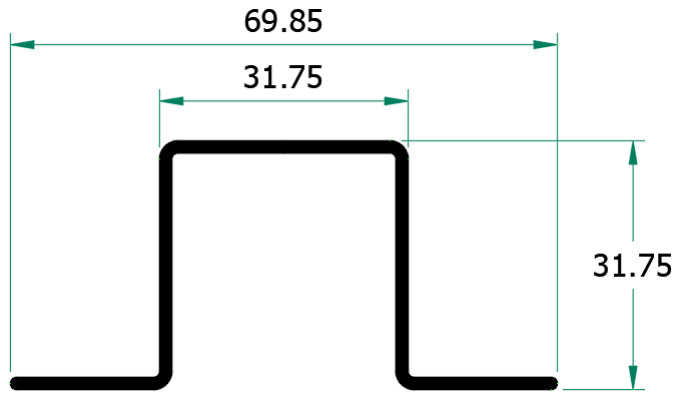
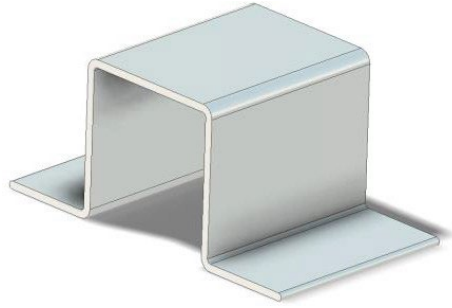
Road Transport Top Hats

Profile Number

4-0322

Weight

0.544 kg/m

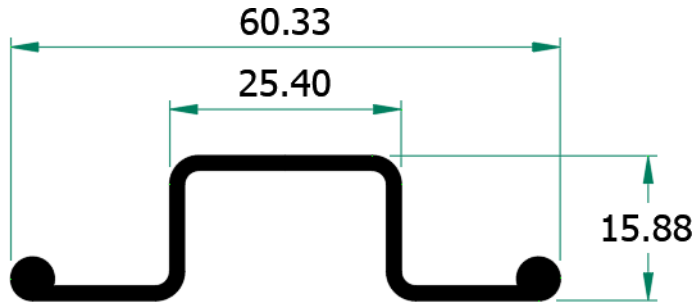
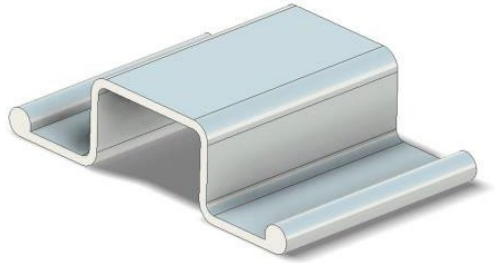


Profile Number

1-0853

Weight

0.430 kg/m



[Back to contents](#)

Hydro Standards

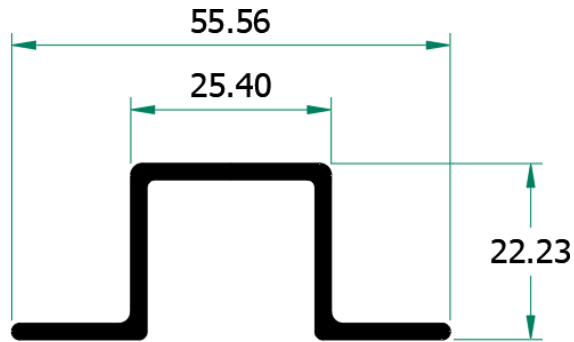
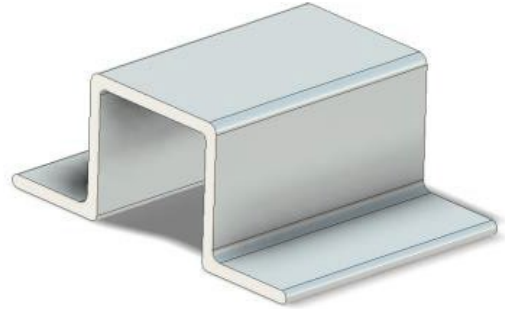
Road Transport Top Hats

Profile Number

4-0635

Weight

0.526 kg/m

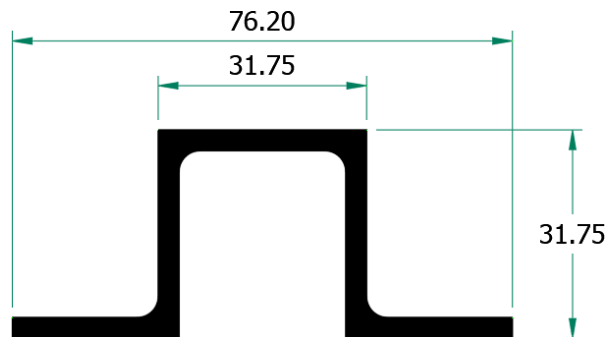
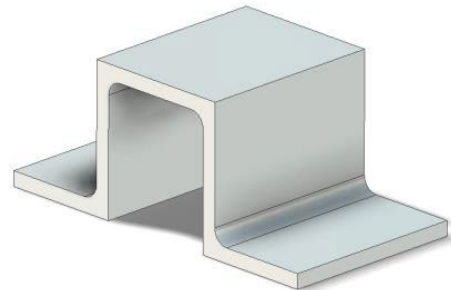


Profile Number

4-0323

Weight

1.173 kg/m



[Back to contents](#)

Hydro Standards

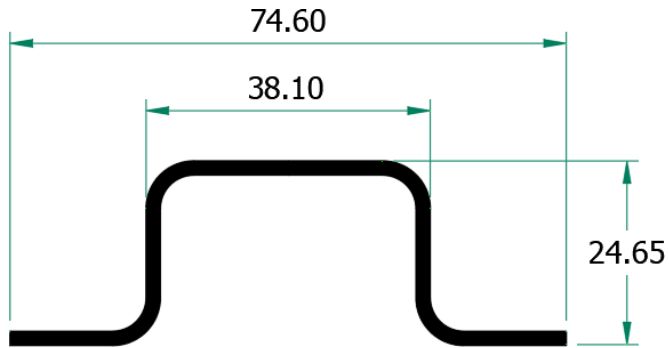
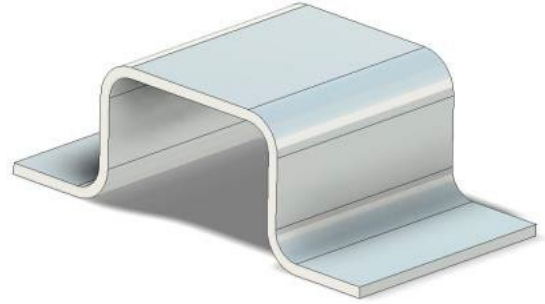
Road Transport Top Hats

Profile Number

4-0498

Weight

0.571 kg/m



Hydro Standards

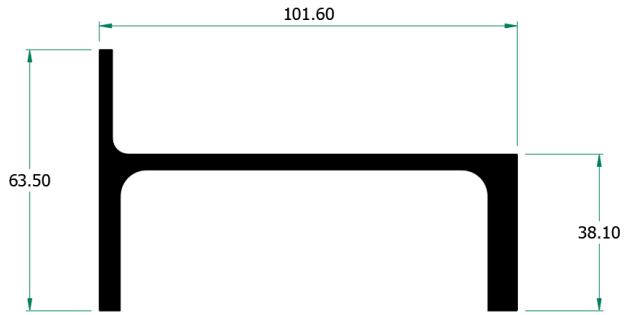
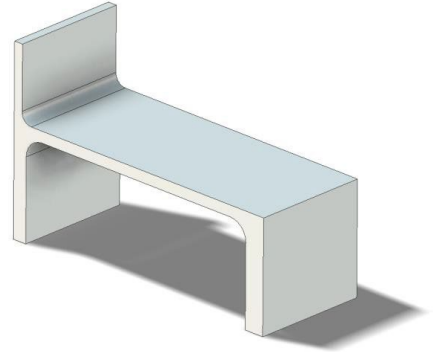
Road Transport Channels / Bearers

Profile Number

1-0814

Weight

2.460 kg/m

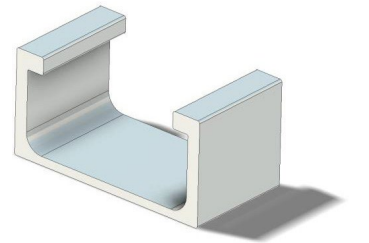


Profile Number

4-0163

Weight

1.822 kg/m



[Back to contents](#)

Hydro Standards

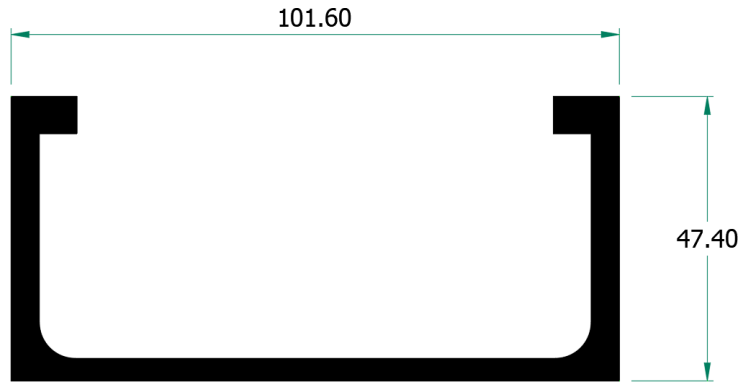
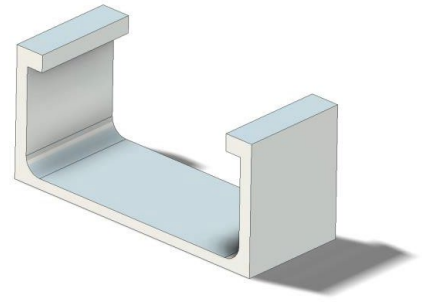
Road Transport Channels / Bearers

Profile Number

4-0097

Weight

2.398 kg/m

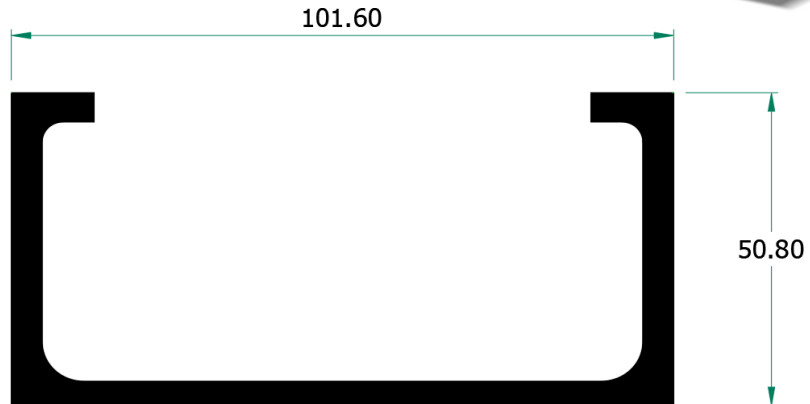
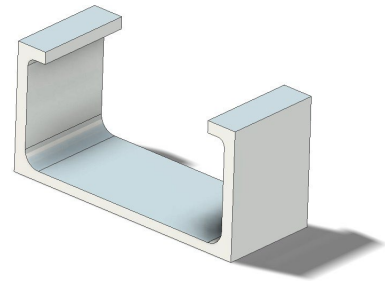


Profile Number

4-0164

Weight

2.560 kg/m



Hydro Standards

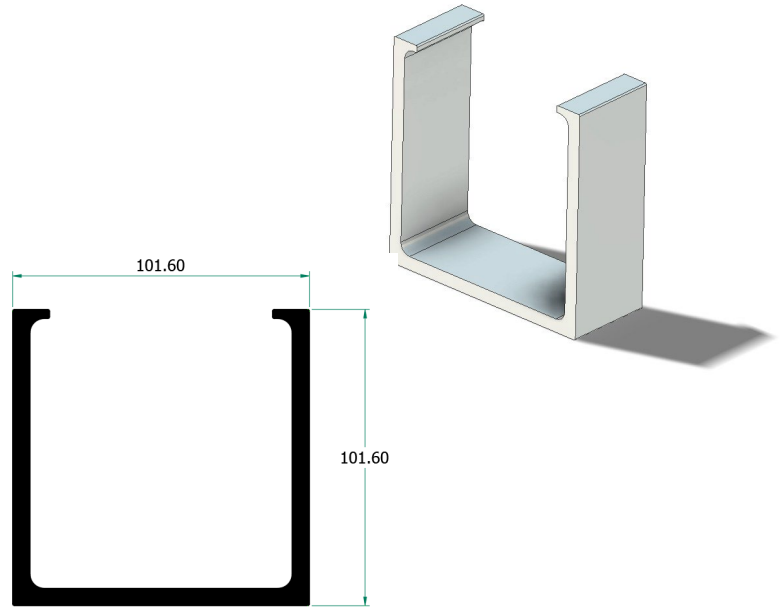
Road Transport Channels / Bearers

Profile Number

4-0957

Weight

4.928 kg/m

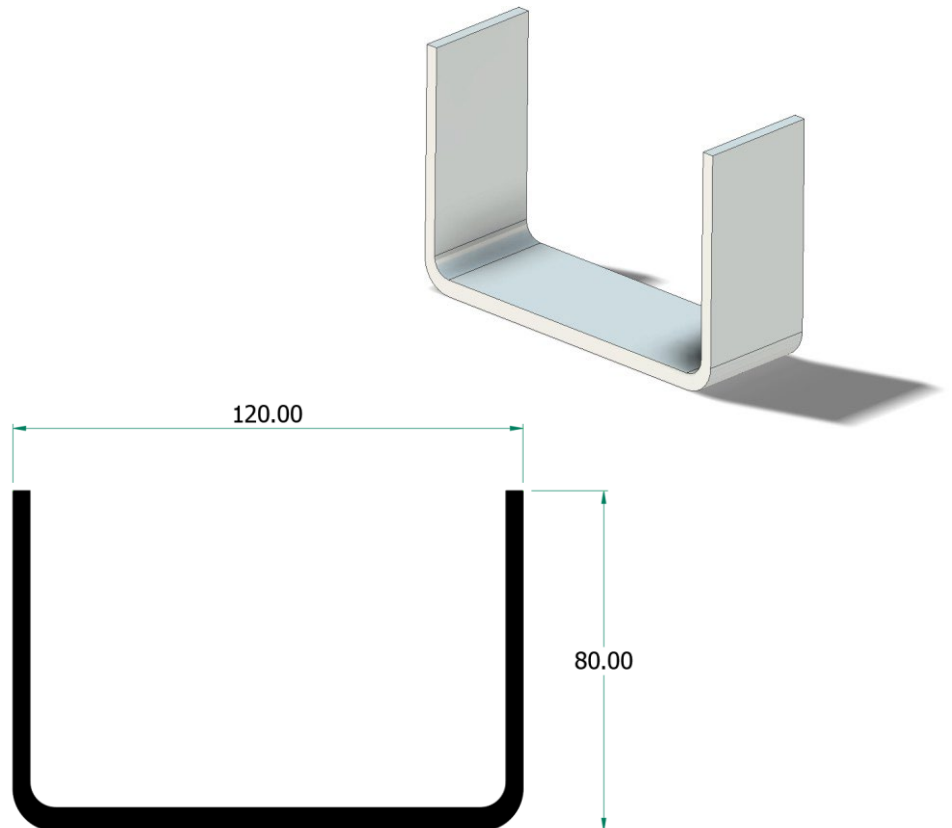


Profile Number

4-0956

Weight

3.392 kg/m



Hydro Standards

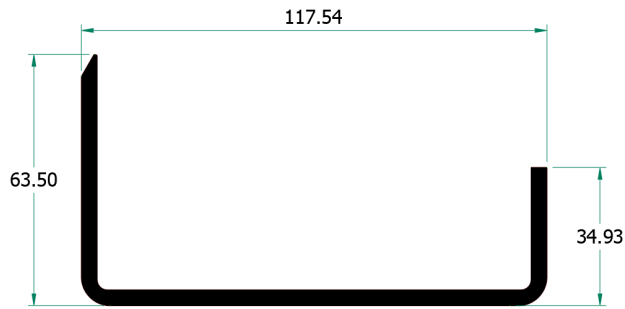
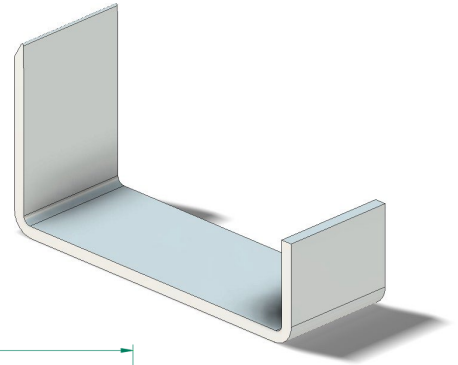
Road Transport Channels / Bearers

Profile Number

4-0951

Weight

2.176 kg/m

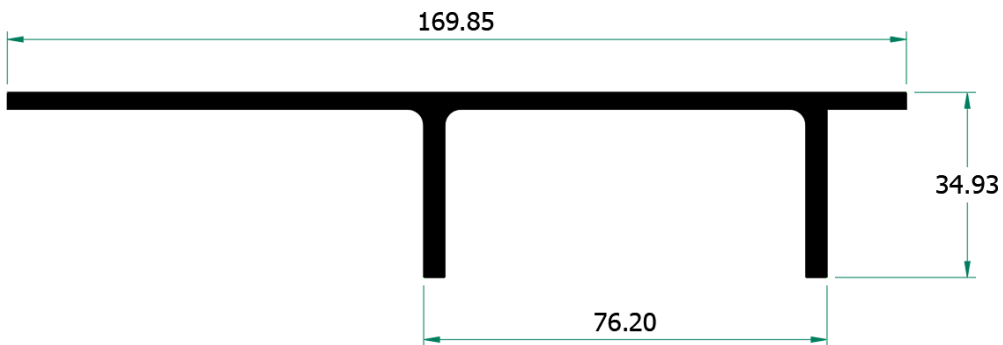
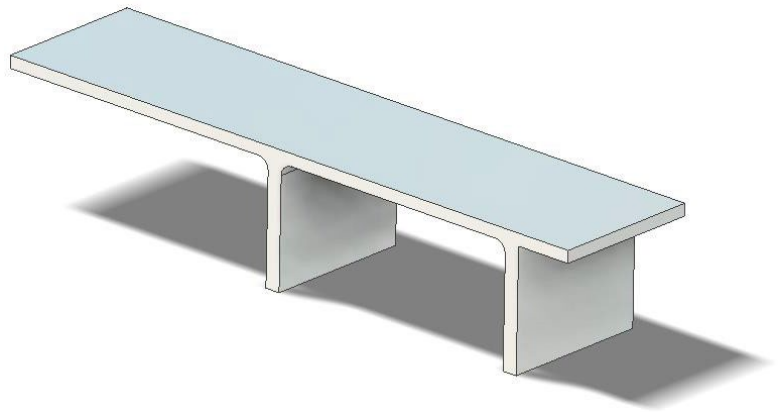


Profile Number

4-0924

Weight

2.168 kg/m



Hydro Standards

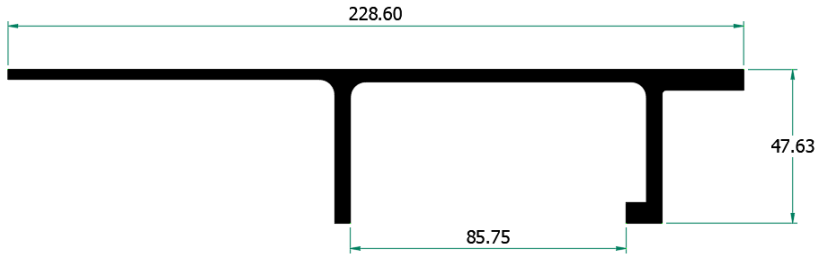
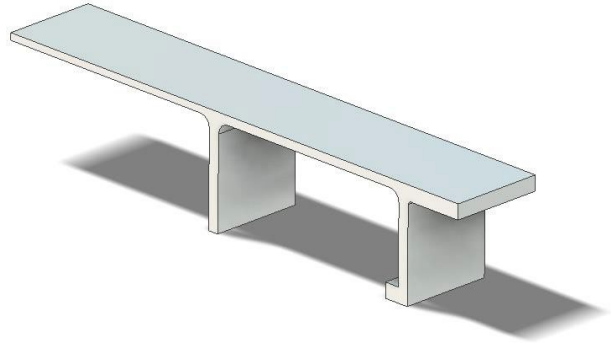
Road Transport Channels / Bearers

Profile Number

4-0954

Weight

3.575 kg/m



[Back to contents](#)

Hydro Standards

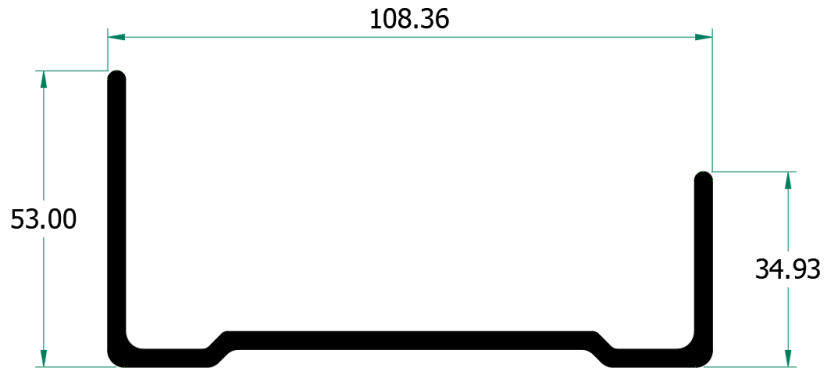
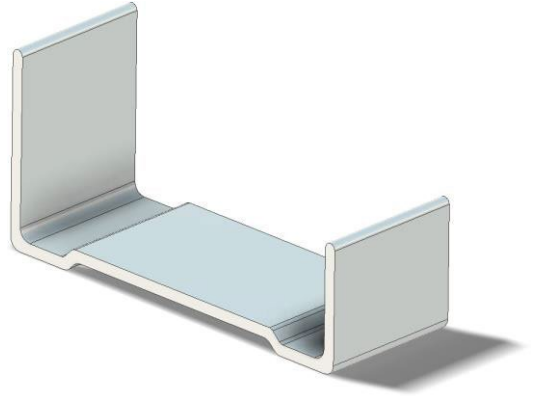
Road Transport Sides

Profile Number

4-0955

Weight

1.655 kg/m

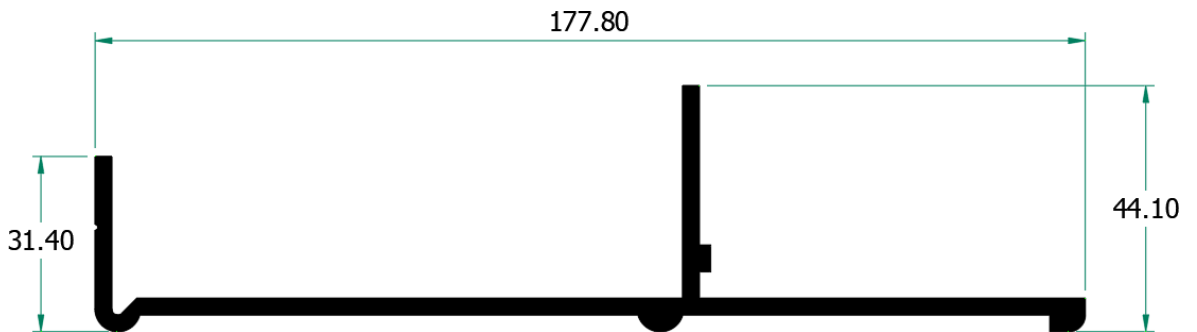
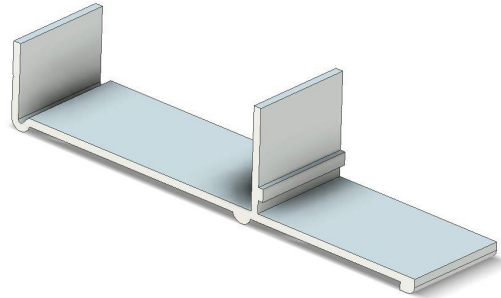


Profile Number

4-0961

Weight

2.104 kg/m



Hydro Standards

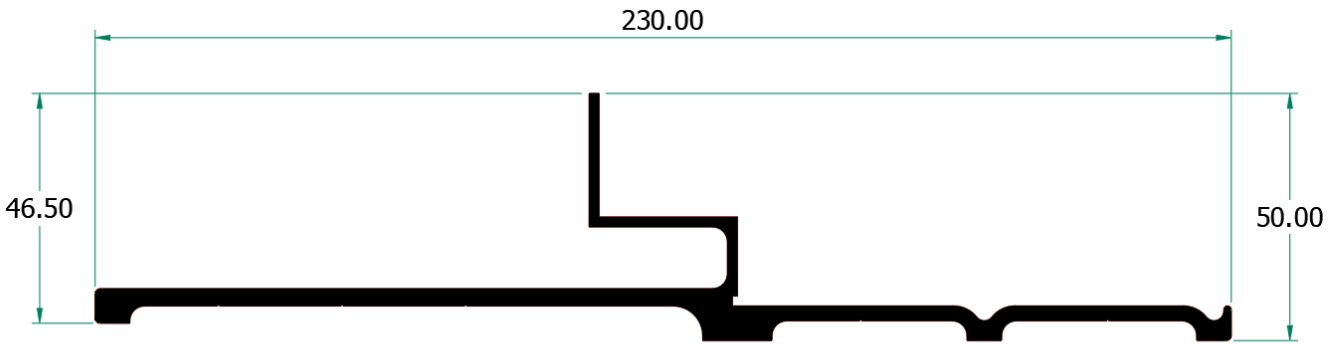
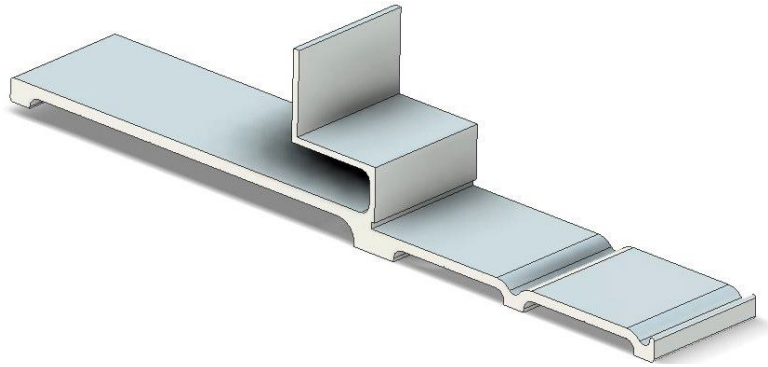
Road Transport Sides

Profile Number

4-0926

Weight

2.812 kg/m

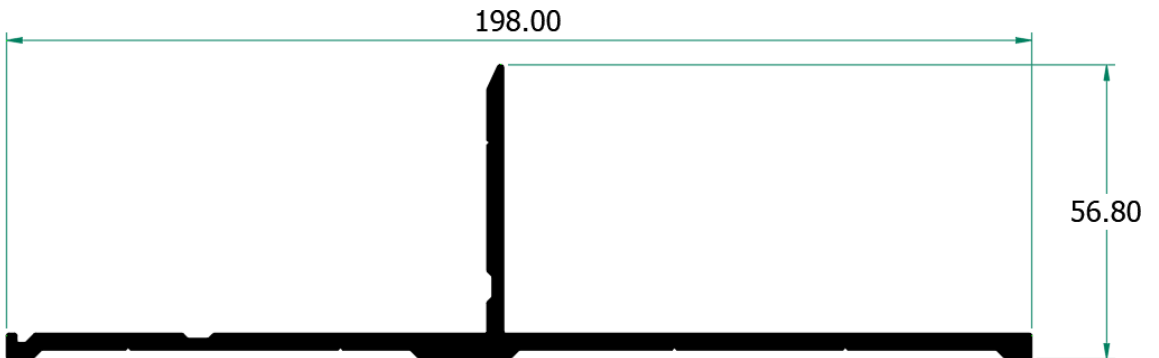
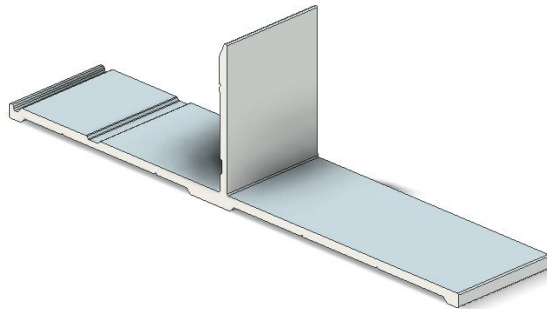


Profile Number

4-0959

Weight

2.260 kg/m



[Back to contents](#)

Hydro Standards

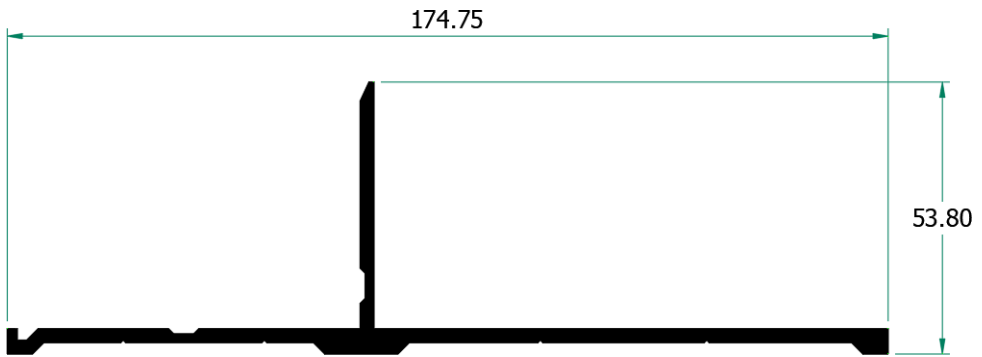
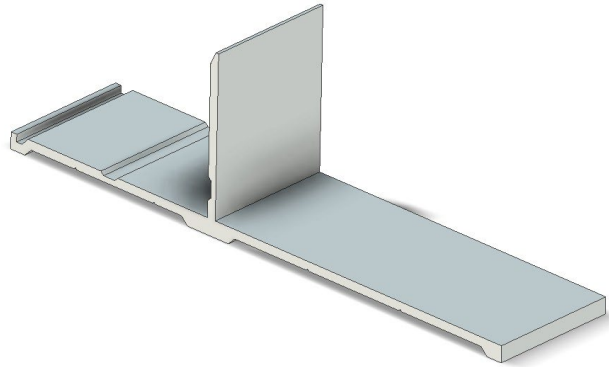
Road Transport Sides

Profile Number

4-0960

Weight

1.783 kg/m

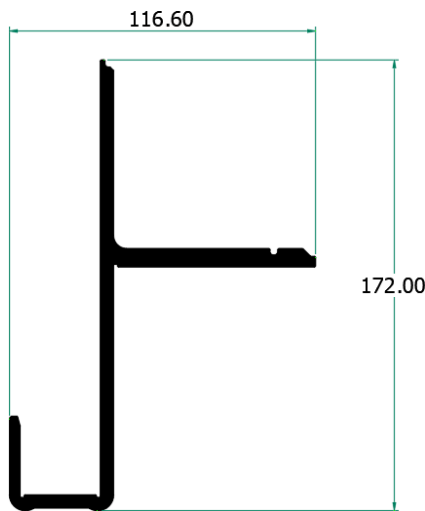
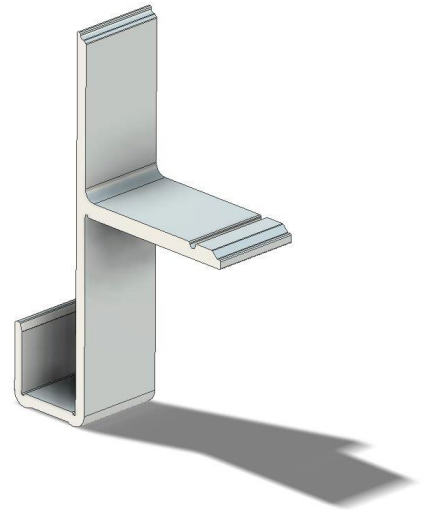


Profile Number

4-1074

Weight

4.500 kg/m



Hydro Standards

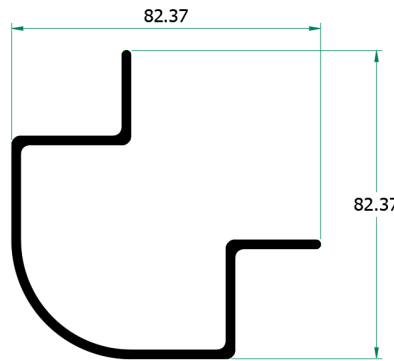
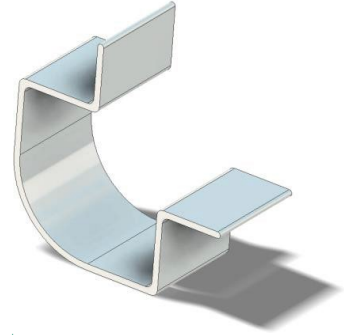
Road Transport Corner Pillars

Profile Number

1-1709

Weight

1.327 kg/m

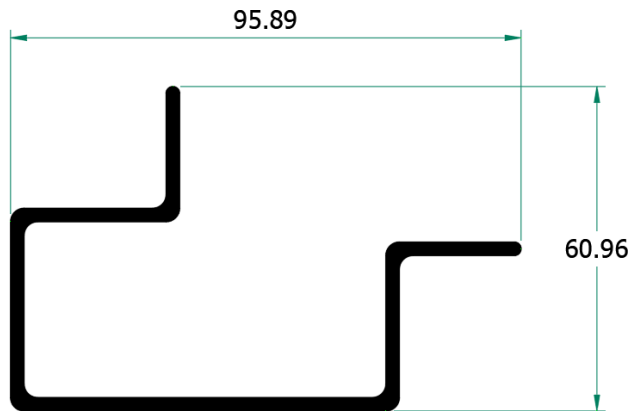
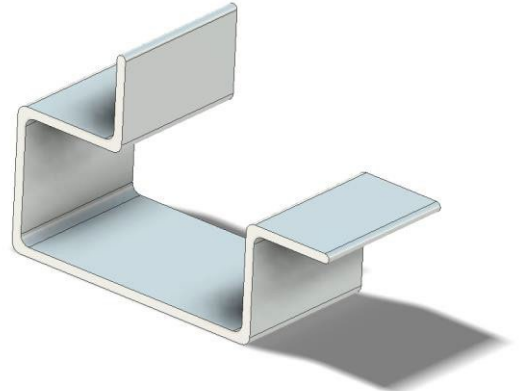


Profile Number

1-1710

Weight

1.461 kg/m



Hydro Standards

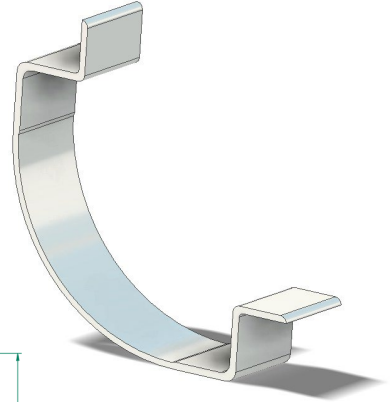
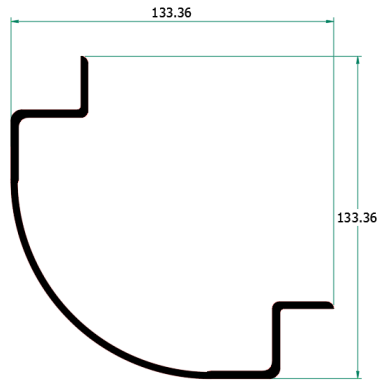
Road Transport Corner Pillars

Profile Number

1-1882

Weight

2.142 kg/m

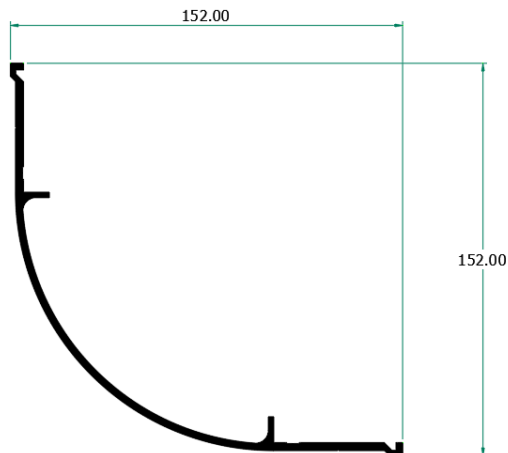


Profile Number

4-0963

Weight

2.013 kg/m



Hydro Standards

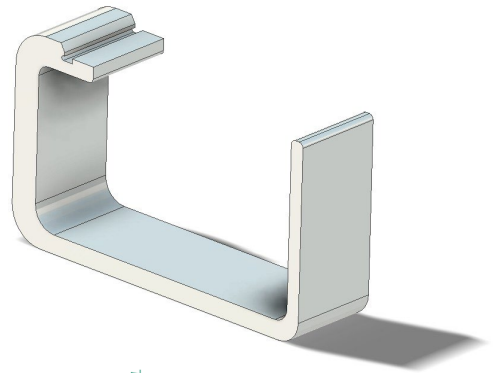
Road Transport Corner Pillars

Profile Number

4-0946

Weight

7.536 kg/m

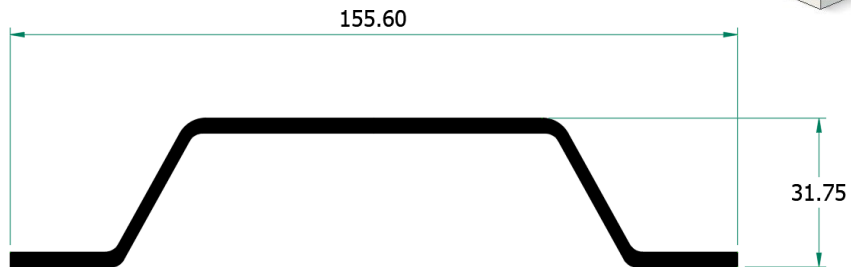
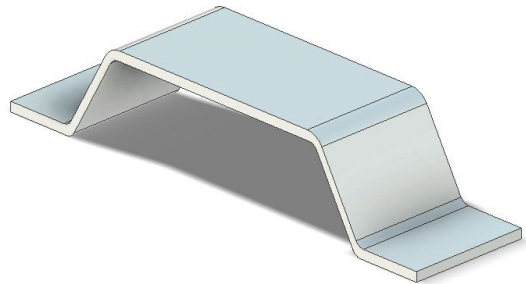


Profile Number

4-0810

Weight

1.508 kg/m



Hydro Standards

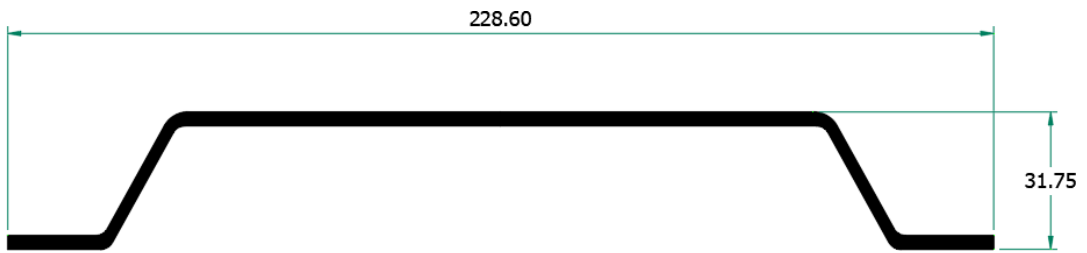
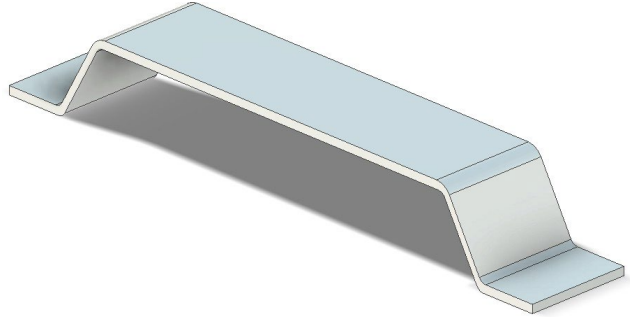
Road Transport Corner Pillars

Profile Number

4-0920

Weight

2.137 kg/m

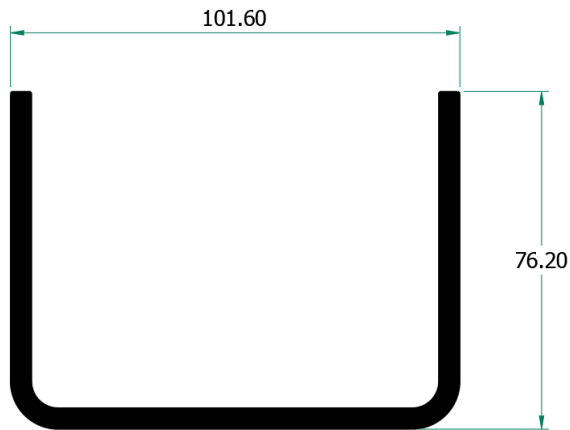
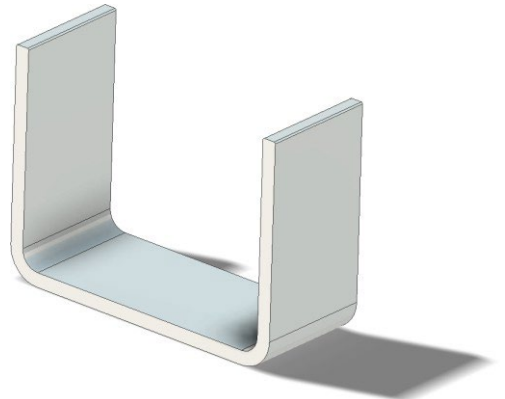


Profile Number

4-1005

Weight

3.073 kg/m



Hydro Standards

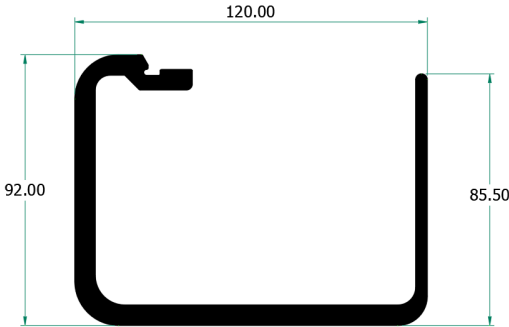
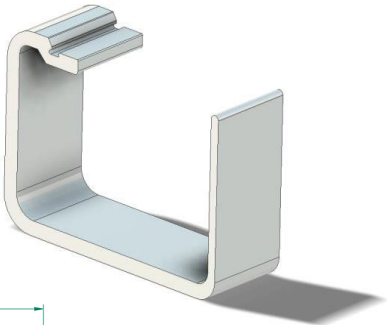
Road Transport Corner Pillars

Profile Number

4-1006

Weight

5.169 kg/m

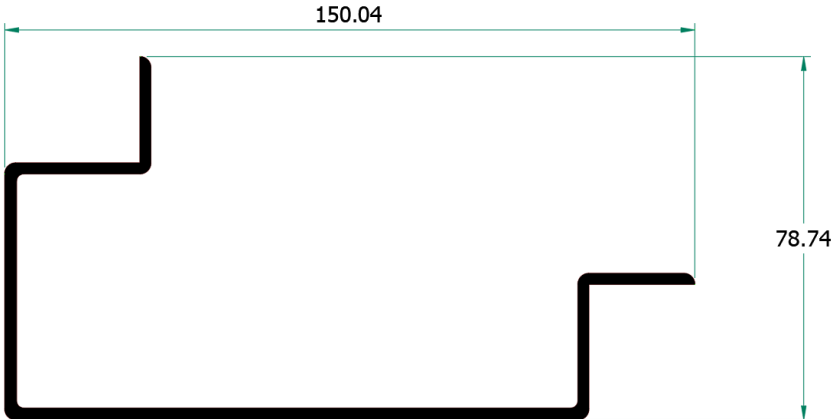
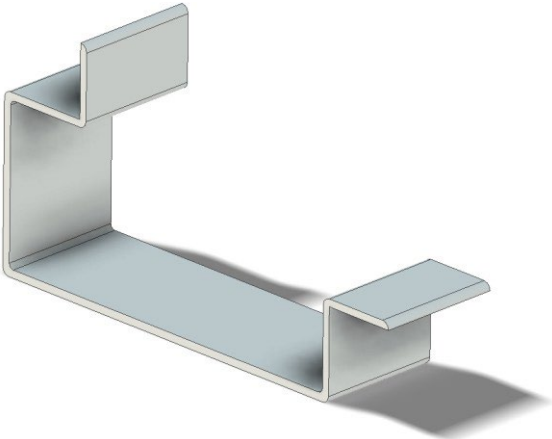


Profile Number

1-1713

Weight

1.900 kg/m



[Back to contents](#)

Hydro Standards

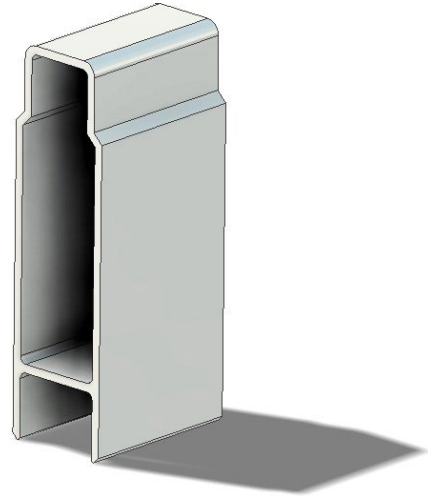
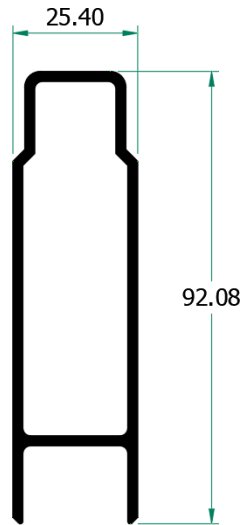
Road Transport Miscellaneous

Profile Number

3-0285

Weight

1.224 kg/m

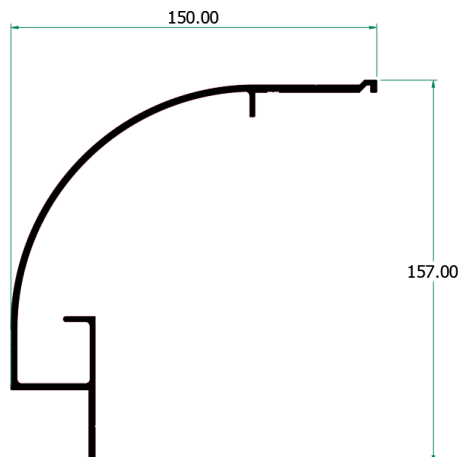
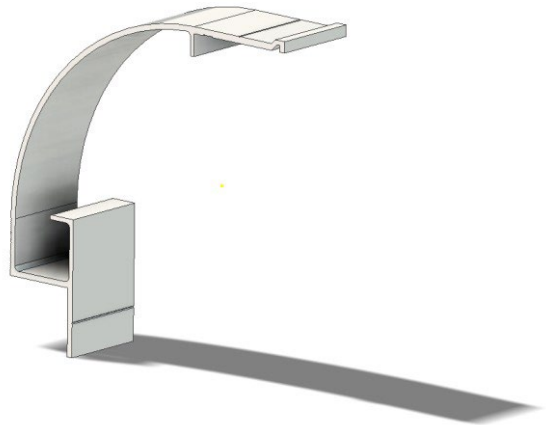


Profile Number

4-0962

Weight

2.309 kg/m



Hydro Standards

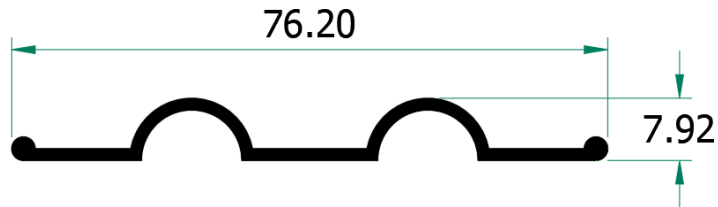
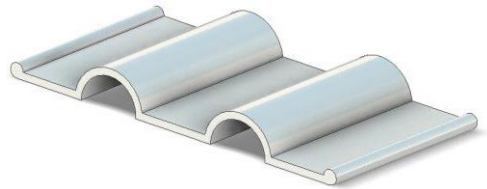
Road Transport Miscellaneous

Profile Number

1-0826

Weight

0.381 kg/m

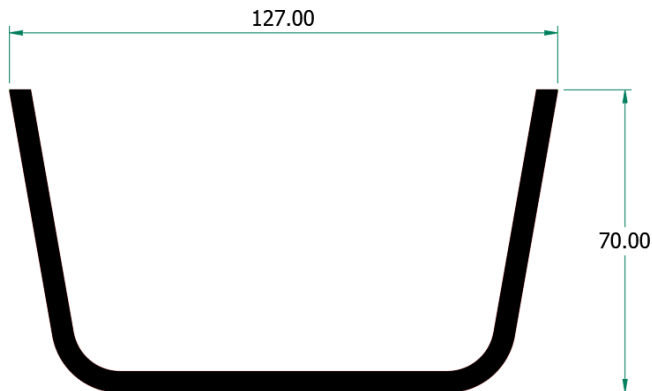
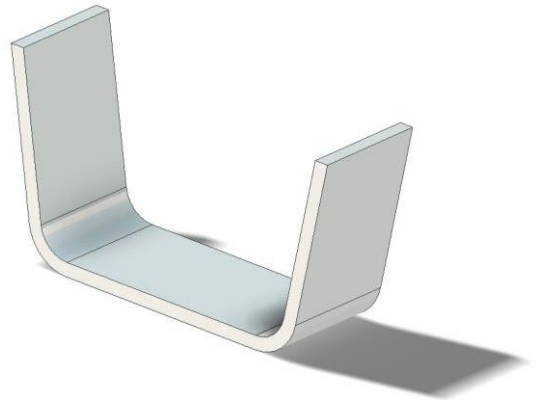


Profile Number

4-0637

Weight

2.966 kg/m



Hydro Standards

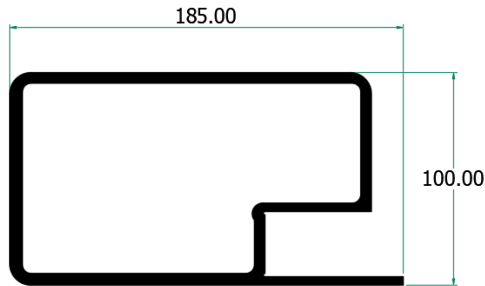
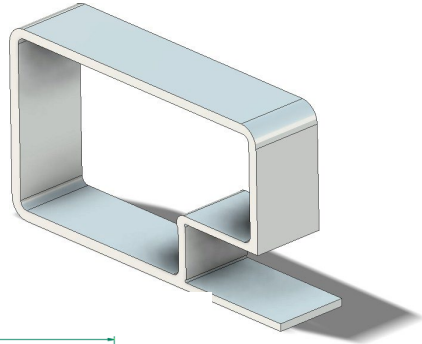
Road Transport Miscellaneous

Profile Number

5-0488

Weight

7.879 kg/m





Hydro Aluminium UK Ltd

Saw Pit Lane, Tibshelf, Derbyshire DE55
5NH

Switchboard 0191 301 1200

<http://www.hydro.com>

Hydro Extrusions is a world-leading Aluminium manufacturing business counting around 100 production sites in 40 countries and employing 20,000 people. Hydro Aluminium UK has five sites across the UK and employs approximately 700 people.

Hydro is committed to leading the way in shaping a sustainable future and in doing so, creating more viable societies by developing natural resources into products and solutions in innovative and efficient ways to industries that matter

Hydro is committed to leading the way in shaping a sustainable future and in doing so, creating more viable societies by developing natural resources into products and solutions in innovative and efficient ways to industries that matter.